



Order No. 500003866  
Model No. 3STEP-RGB-AM

Notes:

## Section 10309 - Manufactured Electric Fireplaces

### PART 1 GENERAL

#### 1.1 SECTION INCLUDES

- A. Manufactured electric fireplaces.
- B. Accessories

#### 1.2 RELATED SECTIONS

- A. Section 06100 - Rough Carpentry: Wood framed rough opening and enclosure.

#### 1.3 REFERENCES

- A. UL - 2021
- B. CSA - C22.2 No. 46

#### 1.4 SUBMITTALS

- A. Submit under provisions of Section 01300.
- B. Product Data: Manufacturer's data sheets on each product to be used, including:
  - 1. Preparation instructions and recommendations.
  - 2. Storage and handling requirements and recommendations.
  - 3. Installation methods.
- C. Manufacturer's Certificates: Certify products meet or exceed specified requirements.
- D. Manufacturer's warranty.

#### 1.5 DELIVERY, STORAGE, AND HANDLING

- A. Store products in manufacturer's unopened packaging until ready for installation.
- B. Protect materials from exposure to moisture. Do not deliver until after wet work is complete and dry.

#### 1.6 WARRANTY

- A. Provide the manufacturer's 2-year limited warranty on electrical components.

### PART 2 PRODUCTS

#### 2.1 ACCEPTABLE MANUFACTURERS

- A. Pre-fabricated Electric Fireplace:
  - 1. Base: Dimplex Electric Fireplace  
Glen Dimplex Americas  
1367 Industrial Road  
Cambridge ON N3H 4W3  
1-888-346-7539  
www.dimplex.com
  - 2. Substitutions not permitted
  - 3. Requests for substitutions will be considered in accordance with provisions of Section 01600.



Order No. 500003866  
Model No. 3STEP-RGB-AM

Notes:

## Section 10309 - Manufactured Electric Fireplaces

### 2.2 ELECTRIC FIREPLACES

#### A. General:

1. Provide all components and accessories required for a complete, functional unit.
2. cULus listed, file E71416

#### B. Pre-fabricated Electric Fireplace:

##### 1. Base Product:

- a) Dimplex Electric Fireplace
- b) Material Number: 500003866
- c) Model Number: 3STEP-RGB-AM
- d) Regulatory model number: 6914230100

##### 2. Description: Optimyst Aura Water Vapor Fireplace

##### 3. Dimensions:

- a) Width: 30" / 76.2 cm
- b) Height: 29-3/16" / 74.1 cm
- c) Depth: 15-15/16" / 40.4 cm

##### 4. Framing Dimensions: Framing depends on the chosen installation, one sided, two sided or three sided. Refer to product dimensions to establish suitable framing. Shown minimum framing dimensions are for one sided installation.

- a) Width: 30-3/8" / 77.0 cm
- b) Height: 29-1/2" / 75.0 cm
- c) Depth: 15-15/16" / 40.4 cm

##### 5. Electrical:

- a) Volts: 120 V (3-Wire)
- b) Watts: 1275 W
- c) Amps: 10.63 A

##### 6. Venting: No venting (as for gas fire places is required)

##### 7. Air intakes: Minimum Top Air intake 29 in<sup>2</sup> (184 cm<sup>2</sup>) / Minimum Bottom Air intake 16 in<sup>2</sup> (100 cm<sup>2</sup>).

**CAUTION:** Failure to include fresh air inlets will result in poor flame performance and damage to the fireplace. A fresh air inlet is essential at the top for heater to operate and it must have a minimum opening size of 29 in<sup>2</sup> (184 cm<sup>2</sup>). There is an air inlet under the drawer that must not be obstructed. An additional fresh air inlet of 16 in<sup>2</sup> (100 cm<sup>2</sup>) that allows the air path to reach the underside of the unit is recommended for optimal flame. If using a grille, ensure the covered area has a larger opening to compensate. The air inlet must pull air from the room the fireplace is in.



Order No. **500003866**  
Model No. **3STEP-RGB-AM**

Notes:

## Section 10309 - Manufactured Electric Fireplaces

8. Operation: Flame only, Flame and heat
9. Heating: Fan-forced heater
10. Standard features:
  - a) Patented multi-colored 3D flame effect produced by LED lights and fine mist
  - b) Overflow sensor to automatically shut off heater operation
  - c) Adjustable flame and volume control
  - d) Safe, cool-touch surfaces, ideal for residential and commercial applications
  - e) Fan-forced heater and mist extractor
11. Control options:
  - a) Flame Connect mobile app
  - b) Multi-functional remote
  - c) In drawer controls
  - d) Built-in power switch in drawer
12. Optional Accessories:
  - a) Plumb kit for continuous water supply - CDFIPLUMB-KIT
  - b) Plug kit – CDFI-PLUGKIT
  - c) Air Intake Grille - X-00275
  - d) Other optional accessories available

### PART 3 EXECUTION

#### 3.1 INSPECTION

- A. Do not begin installation until substrates have been properly prepared.
- B. If substrate preparation is the responsibility of another installer, notify Architect of unsatisfactory preparation before proceeding.
- C. Verify proper power supply is available.

#### 3.2 PREPARATION

- A. Clean surfaces thoroughly prior to installation.
- B. Prepare surfaces using the methods recommended by the manufacturer for achieving the best result for the substrate under the project conditions.

#### 3.3 INSTALLATION

- A. Install in accordance with manufacturer's instructions and requirements of authorities having jurisdiction.
- B. Use manufacturer's guidelines for minimum clearances to combustibles, walls, and finishes.
- C. Anchor all components firmly in position for long life under hard use.
- D. Upon completion of installation, visually inspect all exposed surfaces. Touch up scratches and abrasions with touch up paint recommended by the manufacturer; make imperfections invisible to the unaided eye from a distance of 5 feet (1.5 m).



Order No. **500003866**  
Model No. **3STEP-RGB-AM**

Notes:

## Section 10309 - Manufactured Electric Fireplaces

- E. To use the mobile app, install it prior, onto your mobile device.
- F. Minimum Top Air intake 29 in<sup>2</sup> (184 cm<sup>2</sup>) and Minimum Bottom Air intake 16 in<sup>2</sup> (100 cm<sup>2</sup>) are required. If the air inlet is concealed using a grille, the covered area must be compensated for by having a larger opening.
- G. Ensure that all electrical connections meet local electrical code requirements.

### 3.4 PROTECTION

- A. Protect installed products until completion of project.
- B. Touch-up, repair or replace damaged products before Substantial Completion.

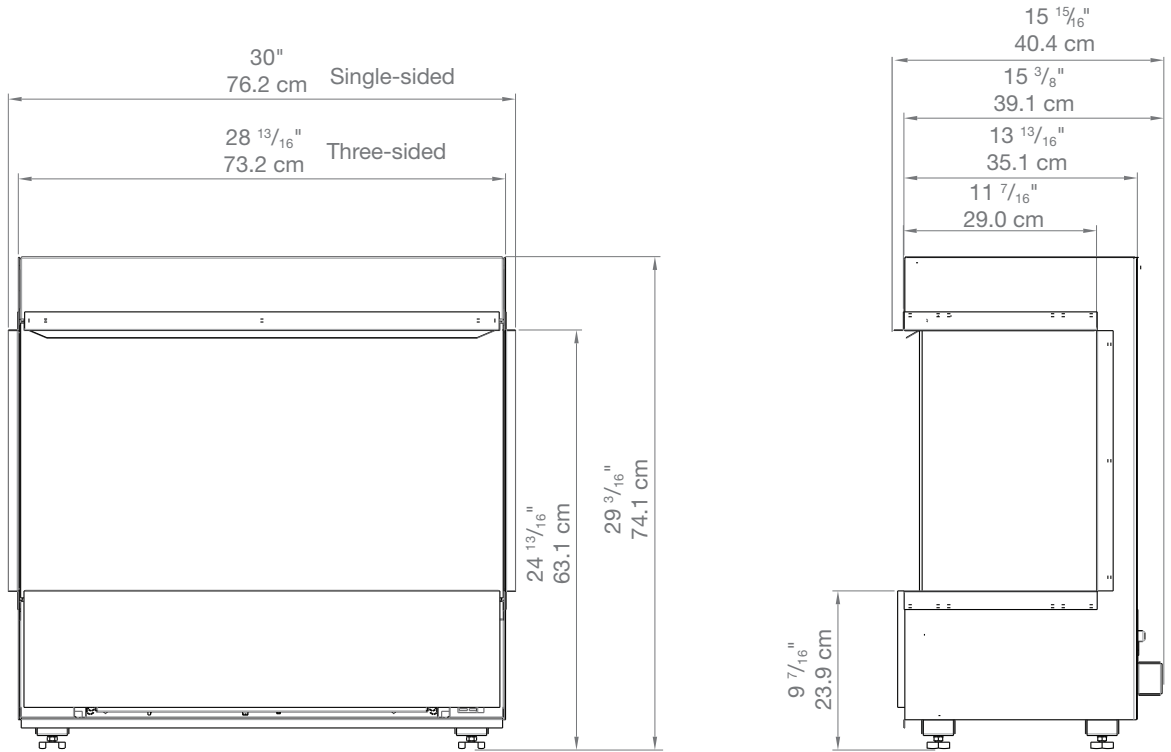
**END OF SECTION**



Order No. **500003866**  
 Model No. **3STEP-RGB-AM**

Notes:

## Product Dimensions:



Product	A WIDTH (in/cm)	B HEIGHT (in/cm)	C DEPTH (in/cm)	VIEWING DIMENSION - WxH (in/cm)
3STEP-RGB-AM	30 (76.2)	29-3/16 (74.1)	15-15/16 (40.4)	28-9/16 x 14-15/16 (72.5 x 38.0)

## Fresh Air Inlets

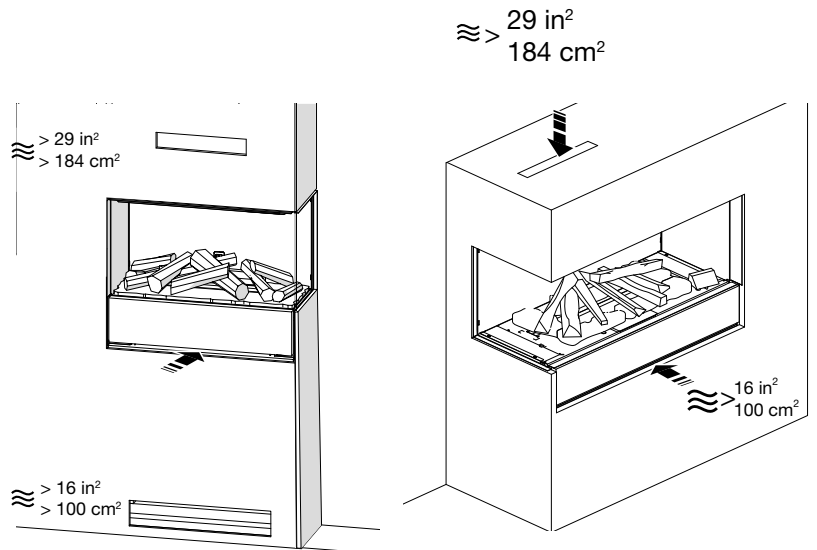
**CAUTION:** Failure to include fresh air inlets will result in poor flame performance and damage to the fireplace.

A fresh air inlet is essential at the top. It must have a minimum opening size of 29 in<sup>2</sup> (184 cm<sup>2</sup>). If using a grille, ensure the covered area has a larger opening to compensate.

There is an air inlet under the drawer that must not be obstructed.

An additional fresh air inlet of 16 in<sup>2</sup> (100 cm<sup>2</sup>) that allows the air path to reach the underside of the unit is recommended for optimal flame.

Air Inlet	Air inlet area required	
Upper	29 in <sup>2</sup>	184 cm <sup>2</sup>
Lower	16 in <sup>2</sup>	100 cm <sup>2</sup>





Order No. **500003866**  
 Model No. **3STEP-RGB-AM**

Notes:

## Framing

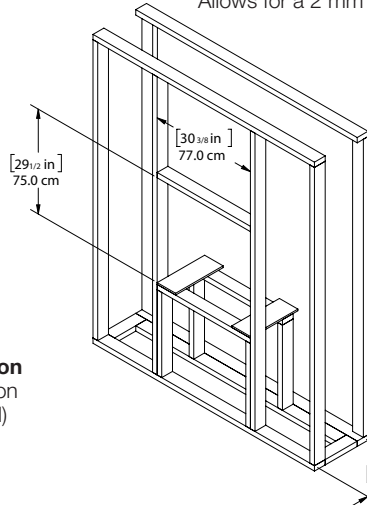
Prepare a wall with a framed structure suitable for the selected installation type, 1-sided, 2-sided or 3-sided based on the product dimensions.

### Framing Dimensions

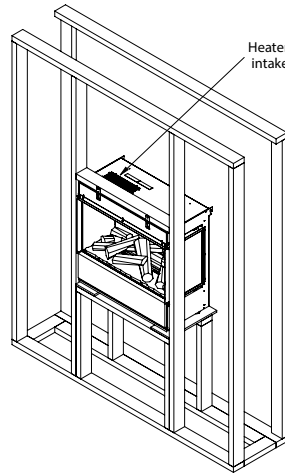
Model	Width (min)	Height	Depth (min)	Drywall Opening Width	Drywall Opening Height
1- Sided	30-3/8" / 77 cm	29-1/2" / 75 cm	15-15/16" / 40.4 cm	28-7/8" / 73.2 cm	23-5/8" / 60 cm
3 -Sided	29-1/4" / 74 cm	29-9/16" / 77 cm	15-15/16" / 40.4 cm	n/a	n/a

\* Allows for a 2 mm clearance all around

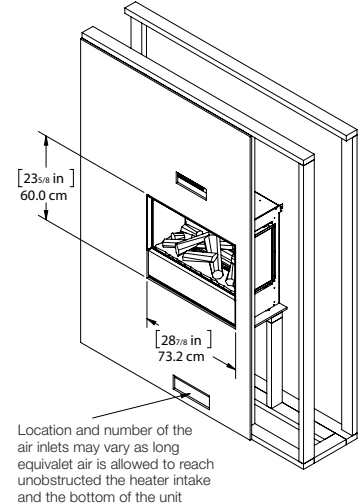
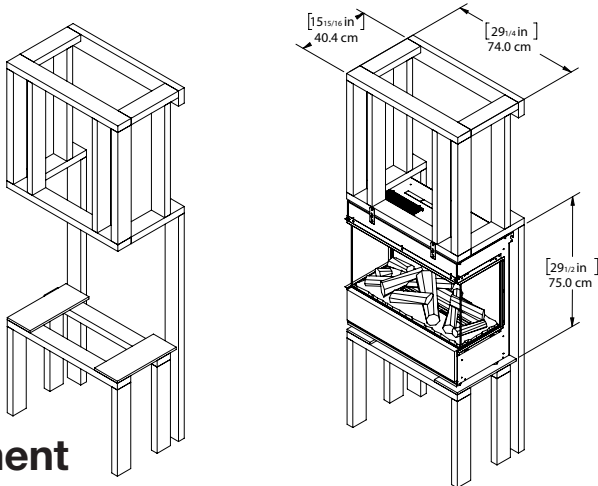
### 1-sided installation



### 2-sided installation (will be combination of 1- and 3- sided)



### 3-sided installation



Location and number of the air inlets may vary as long as equivalent air is allowed to reach unobstructed the heater intake and the bottom of the unit

**CAUTION:** This fireplace is **NOT** load-bearing. Ensure the opening for the fireplace is framed in such a way that the weight of the building materials will not create pressure on the top of the fireplace.

**CAUTION:** Ensure air intake requirements are met. Failure to do so will result in poor flame performance and damage to the fireplace

**NOTE:** Wiring connections are located at the back of the firebox, in the bottom left corner.

## Placement

**NOTE:** Surfaces 12" (30 cm) above the fireplace will not exceed 40° C, as long as installation procedures are followed and heater inlet and outlet are not obstructed.

### Installation in a Bathroom

If this unit is installed in a bathroom, it must be protected by a GFCI receptacle or circuit. If a receptacle is used, it must be readily accessible. This electrical appliance is NOT watertight. To prevent electric shock, it must be installed as to prevent water from entering unit, or installed away from showers, tubs, etc. Never locate fireplace where it may fall into a bathtub or other water container

### Installation Recommendations for Overhanging Objects

For overhanging temperature-sensitive objects, such as a television, a mantel, or artwork, always follow the recommendations provided by its manufacturer for installation over a heater.

### Finish installation

Finish the installation with the material of choice. The drawer front can be finished with the same material, not exceeding 5 lb (2.3 kg), with the proper adhesive. Do not use nails or screws to install finishing materials to the firebox.

Ensure the finishing material does not extend past the drawer front to allow proper airflow for both the flame effect and heater.

See Installation and User's Guide, for detailed installation instructions.

